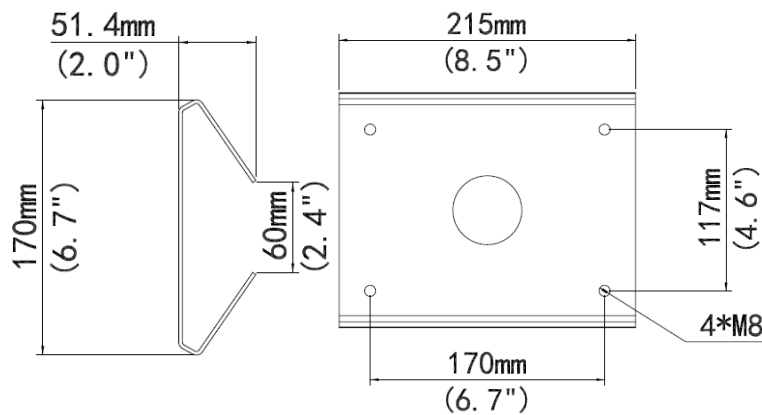


Signature Series PTZ Pole Mount Adapter

This heavy duty bracket can be used in conjunction with our ESG-ASWM2 for a convenient pole mount solution.



Specifications

Bracket	ESG-ASPL2A
Application	Indoor or outdoor, pole mount adapter for Signature Series PTZ dome cameras
Dimensions(L × W × H)	215mm x 170mm x 52mm (4.7" x 4.7" x 2.1")
Weight	1.47kg (3.2lbs)
Material	Aluminum alloy