

ECL-SP460 Color Pan Tilt Zoom Dome

Fully Integrated Indoor and Outdoor Enclosures with Camera and Zoom Lens

The ECL-SP460 Pan Tilt Zoom Dome combines the essential industry standards in a small, easy to operate platform. The dome is equipped with all the features necessary to meet the requirements of even the most demanding customers. Its compact and feature rich design allows discrete placement in aesthetic architectural environments while providing outstanding performance. Overall, the SP460 provides enhanced productivity with unlimited possibilities for commercial and industrial applications.

Indoor Wall Mount



Outdoor Wall Mount



Key Features

- Full Sony Solution
- Better Sensitivity and Faster Zoom
- Faster and More Accurate Auto Focus
- 64 Programmable Presets
- 18X Optical & 12X Digital Zoom
- 360° Continuous Rotation
- Compatible with Most DVR's
- Speed - 36° per Second (100° on presets)

<p>ECL-SP460 (default) Indoor Speed Dome with Indoor Wall Mount</p>	<p>ECL-SP460R Indoor Speed Dome with Indoor Recess Mount</p>	<p>ECL-SP460P Indoor Speed Dome with 3in Indoor Pendant Mount</p> <p>ECL-SP460P2 Indoor Speed Dome with 9in Indoor Pendant Mount</p>	<p>ECL-SP460E Outdoor Speed Dome with Outdoor Wall Mount</p>	<p>ECL-SP460EP Outdoor Speed Dome with 3in Outdoor Pendant Mount</p> <p>ECL-SP460EP2 Outdoor Speed Dome with 9in Outdoor Pendant Mount</p>
--	---	--	---	--

ECL-SP460 Color Pan Tilt Zoom Dome

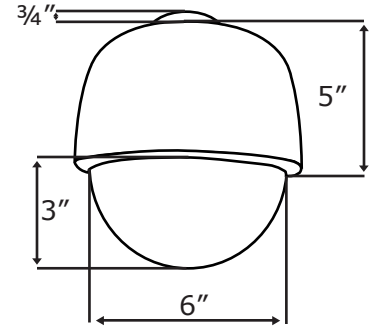
Fully Integrated Indoor and Outdoor Enclosures with Camera and Zoom Lens



Indoor



Outdoor



Pick Up Device	1/4" Sony Super HAD EX-View CCD
Resolution	480 TV Lines
Minimum Illumination	0.7 Lux
Lens	4.1 - 73.8mm Auto Focus (F1.4 - F3.0)
Zoom	18X Optical, 12X Digital (216X Total)
Infra-Red Sensitivity	None
Vertical Sync	Internal
Gain Control	Electronic Shutter 1/1 - 1/10,000sec. (22 steps)
White Balance	Auto, ATW, Indoor, Outdoor, One Push, Manual

Horizontal Rotation	(Pan Travel) 360° Continuous
Vertical Rotation	(Tilt Travel) 0° - 90° (Auto Flip)
Protocols	(RS-485) Pelco, Pelco-D, Pelco-P, Eclipse, Ultrak
Speed	36° Per Second (100° on Presets)
Speed Control	Variable (Adjusts to Manipulation)
Presets	64 Programmable
Touring (Auto Scan)	3 Speed Selectable
Smart Scan	2 Positions Preset (Adjustable Speed)
Focus Control	Manual / Auto (sensitivity adjustment normal or low)
Pan/Tilt Accuracy	+/- 0.05° Preset Recall
Upper Dome Material	Aluminum (IP66 for Outdoor Enclosure)
Lower Dome Material	Clear Acrylic (other options available)
Power Source	24 VAC (30 Watts)
Temperature	0 - 122F (-14 - 122F with Heater)
Humidity	0 - 85% RH Non Condensing

ECL-SP460 Mounting Bracket Options

<p>Indoor Wall Mount</p> 	<p>3" or 9" Indoor Pendant Mount</p> 	<p>Indoor Recess Mount</p> 	<p>Outdoor Wall Mount</p> 	<p>3" or 9" Outdoor Pendant Mount</p> 
--	--	--	---	---