

ECL-557WB

Metal Wall Bracket with Anti-Vandal Features

The ECL-557WB wall bracket is designed specifically for ECL-557 series dome security cameras. The ECL-557WB incorporates ease-of-use and anti-vandal features with a flip-up design that makes camera attachment easy, and is tough enough to withstand most physical attacks. Cable routing can be made through the bracket and base, or through the either conduit port (one on each side).



General Specifications

Construction: metal (zinc-alloy) with baked finish
Arm Dimensions: 12" long, wall mounting point is 4.75" wide x 8.5" tall
Notes: Designed to swing upward and away from the wall. Metal brace included to lock into open position. For full swing movement make sure to mount at least 12" from closest ceiling point.

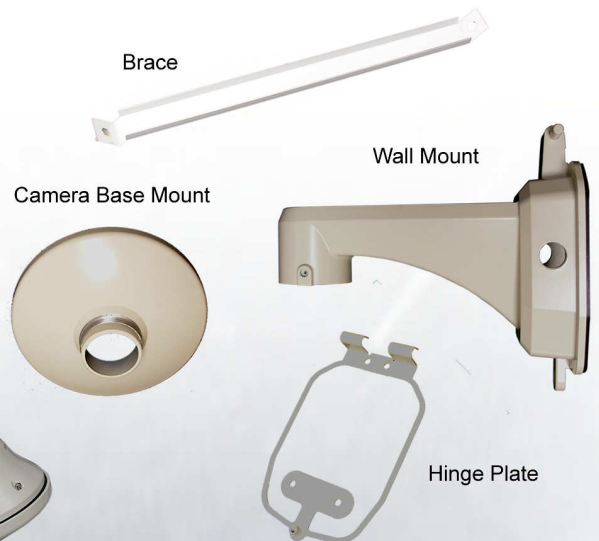
Package Contents

Installation Kit, Installation instructions, metal brace, hardware, maintenance tools and gasketed conduit port plugs.

1 Begin by removing the cover from your ECL-557-series dome camera. Then attach the camera to the camera base mount, and string the camera cable(s) through the base.



2 Attach the dome camera cover to the dome camera to protect the camera during the installation process.



3 Route the camera cable through the Wall Mount.



4 Align and then screw the Camera Base Mount to the Wall Mount until fully seated, then secure with the provided screw.



When maintenance or replacement is required, the ECL-557WB swings up to allow easy access to the cable connections.

